

# Ficha Técnica



Encore

VEEDER-ROOT

RED JACKET

CATLOW

DOMS

INSITE360

GASBOY



(+51) 999 012 777

ventas@sdm.pe  
www.sdm.pe

**SDM**  
Soluciones De Mercado

DISTRIBUIDOR OFICIAL



A **VONTIER** COMPANY

# AtlasX

## Next-Gen Commercial Refueling

### 9850G Electronic Ultra High Flow Dispensers

Introducing AtlasX 9850G commercial series.

The 9850G series dispensers are engineered to meet the demanding needs of commercial and fleet fueling operations. Designed for durability and reliability, these dispensers feature rugged galvanized steel frames and come in a variety of configurations.

The AtlasX ultra high flow fuel dispensers ensure fast and accurate fuel delivery. The ability of lane-oriented or side-load options make them adaptable to various fueling setups. Pair with the AtlasX Satellite dispenser or TW3 Combo and fuel both saddle tanks simultaneously.

Utilizing industry standard current loop protocol or Pulse Output to communicate with Gasboy's PRIME Controllers or other 3rd party controllers for reliable and accurate fuel management.

The heavy-duty steel construction, along with its compatibility for up to 100% biodiesel applications guarantees long-term durability and future-proof performance.



\*Front Load Model Shown



# 9850G AtlasX Features

Model number	Description	Type	Hoses	Products	Register	Flow Rating
9850GX	Single Dispenser Front	Dispenser	1	1	Elec	50 GPM
9850GXTW1	Twin Dispenser Front	Dispenser	2	1	Elec	50 GPM
9850GXTW2	Twin Dispenser Front	Dispenser	2	2	Elec	50 GPM
9850GX	Single Dispenser	Dispenser	1	1	Elec	50 GPM
9850GXTW1	Twin Dispenser	Dispenser	2	1	Elec	50 GPM
9850GXTW2	Twin Dispenser	Dispenser	2	2	Elec	50 GPM
9850GXTW3	Combo Dispenser	Dispenser	2	2	Elec	50 GPM

Feature	Description	9850G
Approvals	Safety, UL and cUL Listed W&M, NCWM, Measurement Canada (MC)	S S
Working Pressure	50 psi maximum	S
Unit of Measure	Gallons/Liters Selectable	S
Filters	Internal strainer External canister type	S O
Piping	Internal fuel piping	1 1/4"
Discharge	Hose connection-NPT	1"
Satellite Piping	Satellite piping connections (S) – dispenser only	O
Inlet	Island connection-NPT	2"
Junction Box	Field wiring junction box	S
Housing	G30 Galvanized steel	13GA
Panels/Sheathing	Lockable removeable-precoated galvanized steel 2mm thick Lockable removeable-stainless steel-22 gauge	S O
Brand panel	Lighted brand panel	O
Meter	Liquid controls 6 step rotary PD Meter	S
Calibration	Electronic	S
Display Power	Power Fail backup	S
Solenoid Valve	2-stage valve for preset operations (PP)	S
Totalizer	Electronic Totalizer 10 digits and display 6-digits on LCD display	1 1/2"
Connectivity	2-wire communication protocol(current-loop) Pulse Output, Dual channel	S O

Operating Environment		
Environment	Range	
Relative humidity	20% to 95% non-condensing	S
Electronics Minimum Ambient Temperature	-22°F (-30° C)	S
Electronics Maximum Ambient Temperature	131°F (55° C)	S
Hydraulics Minimum Ambient Temperature	29°C (-20°F)	S
Hydraulics Maximum Ambient Temperature	52°C (125° F)	S



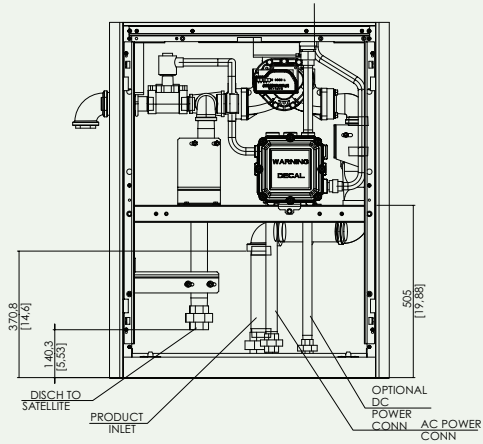
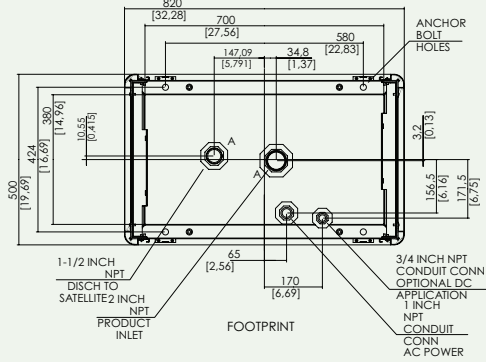
### 1 Year Warranty

Commercial and Retail Pumps and Dispensers are warranted against defects in material and workmanship for 12 months from date of installation or 24 months from date of original invoice, whichever occurs first. The PRIME factory installed fuel management system electronics are also warranted against defects in material and workmanship for 12 months from date of installation or 24 months from date of original invoice. Warranty coverage for AtlasX and AtlasX PRIME includes parts and labor. Field-installed kits are warranted against defects in material and workmanship for 12 months from date of installation or 24 months from date of original invoice, whichever occurs first. The warranty coverage is for parts only.

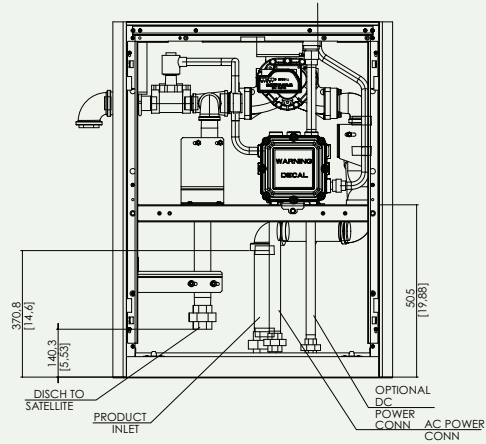
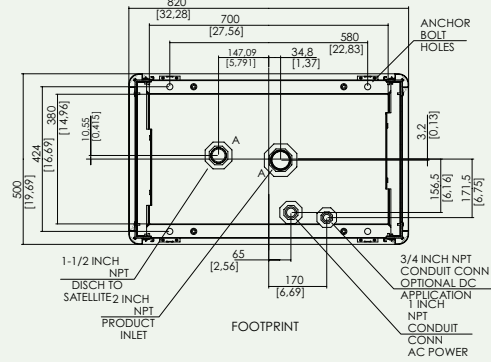
S = Standard  
O = Optional  
- = Not available

# Technical Specification and Foundation Layout

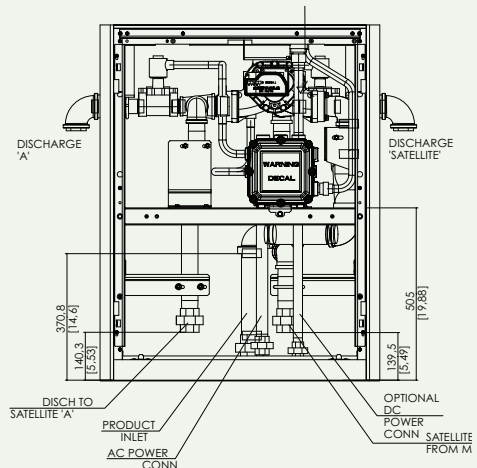
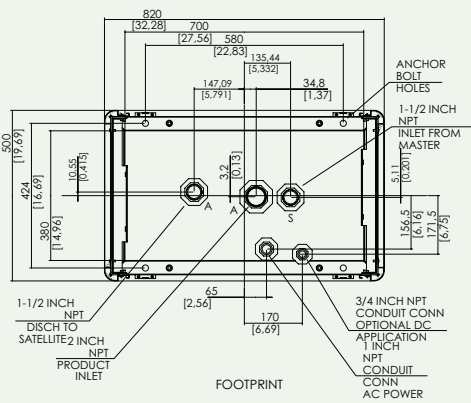
## 9850GX



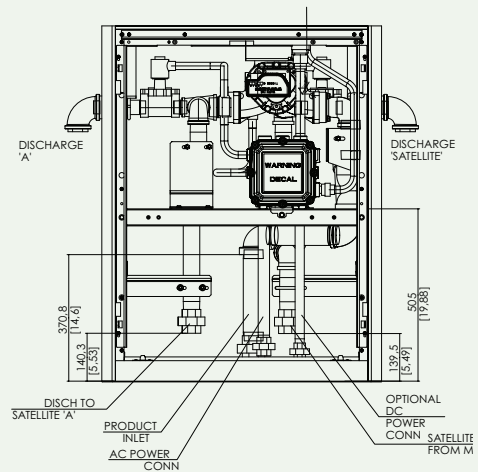
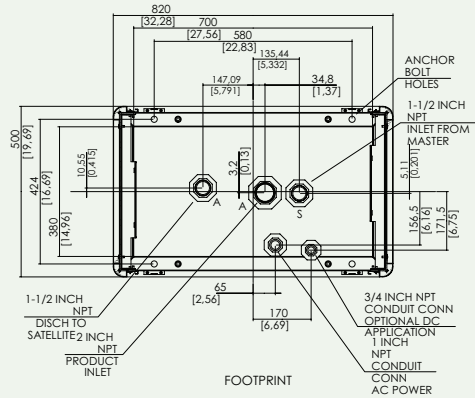
## 9850GXTW1



## 9850GXTW2



## 9850GXTW3



# AtlasX Key Enhancements



## Best-in-class engineering

Pulser ensures precise measurement Interfaces with various FMS to track and control fuel dispensing, facilitates more accurate transactions by automating data capture process.



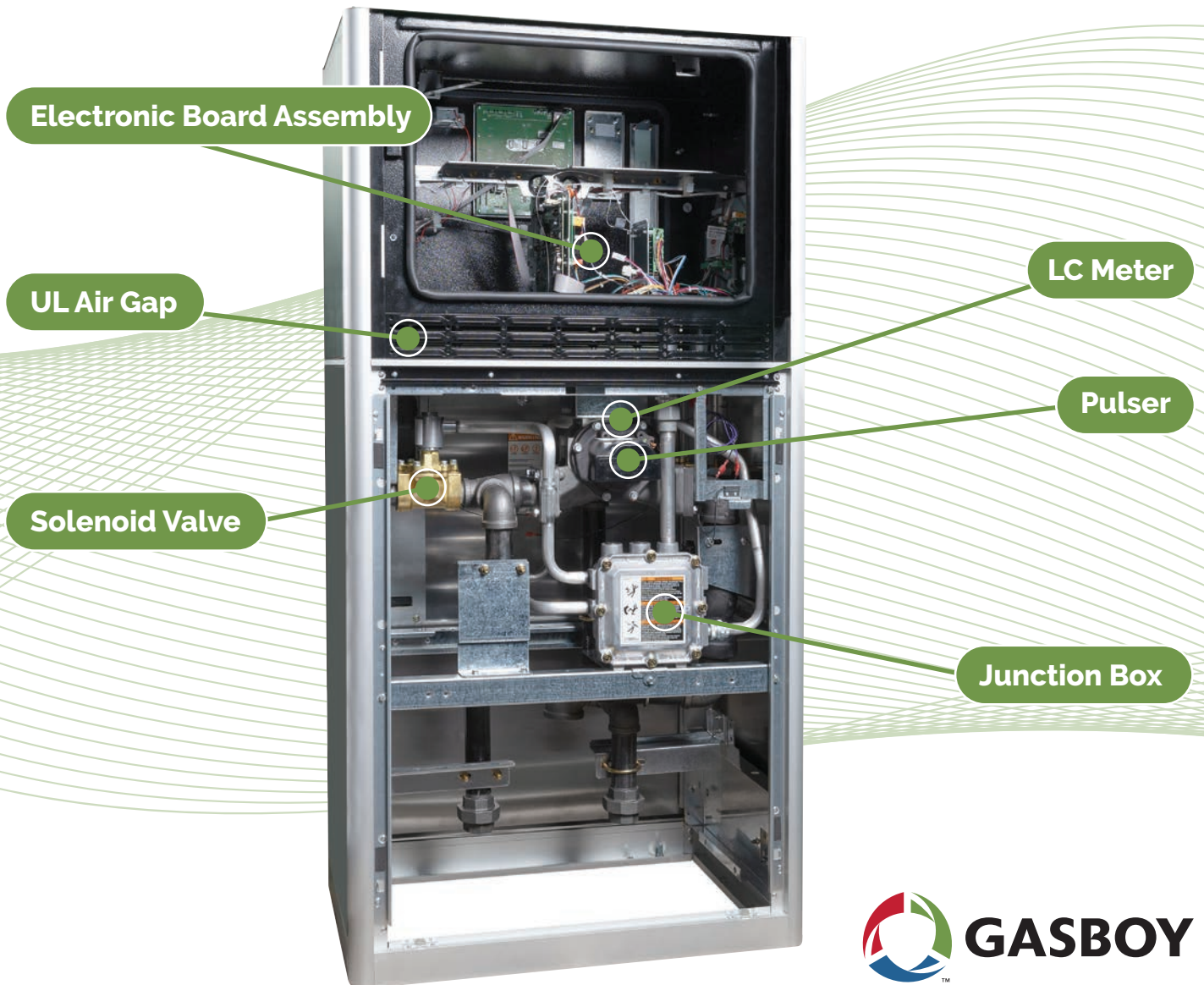
## Modern design

Taller, sleeker design with smooth modern lines built with painted galvanized-steel panels that enable greater durability.



## Future-proof

Modern Encore Electronics platform provides the foundation for future applications (remote diagnostics, remote software updates, secure payments etc.)



A VONTIER COMPANY

Dependable



Durable

## Gasboy® Atlas® Pumps & Dispensers for Retailers

Sometimes the best solutions are the most simple ones. Gasboy Atlas pumps and dispensers provide retailers with all the basics for retail fueling.

with your point of sale system for use at your primary fueling island. Or, use Atlas pumps and dispensers to offer secondary products like kerosene.

Durable, reliable, and proven pumps and dispensers are available in electronic and mechanical models to meet your needs. They can interface

Worldwide leader in solutions for fleet and commercial markets.



## Electronic pumps & dispensers - 22GPM\*

Model Number	Type	Hoses	Products	Motors	Meters
8853K	Pump	Single	1	(1) 1 hp	Gilbarco CFT
8852KTW1	Pump	Twin	1	(1) 1 hp	Gilbarco CFT
8853KTW1M	Pump	Twin	1	(2) 1 hp	Gilbarco CFT
8853KTW2	Pump	Twin	2	(2) 1 hp	Gilbarco CFT
8853KX	Dispenser	Single	1	n/a	Gilbarco CFT
8853KXTW1	Dispenser	Twin	1	n/a	Gilbarco CFT
8853KXTW2	Dispenser	Twin	2	n/a	Gilbarco CFT



## Mechanical pumps & dispensers - 22GPM\*

Model Number	Type	Hoses	Products	Motors	Meters
8753K	Pump	Single	1	(1) 1 hp c.d.	Gilbarco CFT
8752KTW1	Pump	Twin	1	(1) 1 hp c.d.	Gilbarco CFT
8753KTW1M	Pump	Single	1	(2) 1 hp c.d.	Gilbarco CFT
8753KTW2	Pump	Twin	2	(2) 1 hp c.d.	Gilbarco CFT
8753KX	Dispenser	Single	1	n/a	Gilbarco CFT
8753KXTW1	Dispenser	Twin	1	n/a	Gilbarco CFT
8753KXTW2	Dispenser	Twin	2	n/a	Gilbarco CFT

\*Flow rate at ideal test conditions. Actual flow rate may vary based on conditions at installation.

## Atlas™ Features Option Summary

	8753	8853
Homologations officielles : Homologué UL et cUL, Mesures Canada, NCMWSS	S	S
Pression de service : Maximum 50 psi	S	S
Unité de mesure : Gallons (litres en option)	S	S
Moteur/tension : Moteur à service continu 1HP de 115 V/60 HZ	S	S
Tension : 230 V/50 HZ et 380 V/50 HZ/triphasée	O	O
Pompe : Pompe rotative à 10 palettes avec séparateur d'air intégré	S	S
Électrovanne de 1" pour fonctionnement avec ralentissement programmé (pp)	S	S
Filtre interne pivotant intégré (F)	S	S
Filtre externe pivotant	O	O
Sortie : NPT 1 pouce en fer noir	S	S
Tuyauterie satellite - Distributeurs uniquement (S)	O	O
Admission NPT 1 1/2"	S	S
Caisson : 13 gallons, en acier galvanisé G90 peint	S	S
Panneaux amovibles verrouillables - G60 peints de calibre 20	S	S
Panneaux amovibles verrouillables - Kooline, acier inoxydable de calibre 22	O	O
Couvercles peints remplaçables en acier galvanisé G60 (22 gallons)	S	S
Couvercles en acier inoxydable - Kooline (22 gallons)	O	O
Unité de calcul électronique : Affichage du montant, du volume et du prix unitaire	N	S
Le totalisateur électronique enregistre 10 chiffres et affiche 6 chiffres sur l'écran LCD	N	S
Unité de calcul mécanique : VR10 - Affichage du volume, du montant et du prix unitaire. Comprend un totalisateur intégré et un dispositif de réinitialisation d'alimentation.	S	N
Affichage électronique : Affichage frontal du montant, du volume et du prix unitaire. Écran LCD rétro-éclairé de 3/4". Affichage à 6 chiffres du montant et du volume et à 4 chiffres du prix unitaire.	N	S

	8753	8853
Impulseur : (Volume 10:1 ou 100:1) pour les systèmes à clé ou carte (CC ou CX)	O	N
Impulseur : (Argent 100:1) pour les systèmes à clé ou carte (CM)	O	N
Gilbarco bifilaire	N	S
Sortie de l'impulseur	N	O
Panneau de marque éclairé (L)	S	S
Totalisateur électromagnétique non ajustable (à 7 chiffres)	N	O
Positions des pistolets : Montage latéral	S	S
Rétracteur de flexible interne (I)	S	S
Rétracteur de flexibles hauts : Rétracteur sur montant avec enrouleur automatique à ressort à l'intérieur	O	O
Application pour cuves hors sol : Vanne régulatrice de pression, modèle 52A (9048577)	O	O
Garantie de 12 mois couvrant pièces et main d'œuvre	S	S
Garantie de 24 mois couvrant pièces et main d'œuvre	O	O
Compensation de température automatique (uniquement pour le Canada)	N	O
Manivelle (K)	O	N
Système équilibré de récupération de vapeurs (compatible avec le kit universel Healy)	O	O
Flexible : 3/4" ou 1" (spécifiez la longueur) - Standard ou avec récupération de vapeurs	O	O
Pistolets automatiques, vannes auto-détachables et pivots	O	O
Réinitialisation programmable de la pompe (modèle d'exportation seulement)	N	O
Mise en activité automatique (modèle d'exportation seulement)	N	O

S = Standard, O = En option, N = Non disponible



Feature	Description	9853	9840	9850	9820	9872	9153	9140	9120	215/216Q
Approvals	cUL and UL listed, NCWM, Measurement Canada	S	S	S	S	S	S	S	S	S
Working Pressure	50 psi maximum	S	S	S	S	S	S	S	S	S
Unit of Measure	Gallons (liters optional)	S	S	S	S	S	S	S	S	S
Motor/Voltages	1 HP continuous duty motor 115V/60HZ — (230V/50HZ is optional)	S	S	S	S	S	S	S	S	
	1½ HP continuous duty motor 115V/60HZ — (230V/50HZ is optional)			S		0				
Pumps	¾ HP continuous duty motor 380V/50HZ/3-Phase	0	0		0		0	0	0	
	10 vane rotary pump with integrated air separator	S	S		S		S	S	S	
Solenoid Valve	High speed rotary vane pump with integrated air separator			S						
	1" or 1½" solenoid valve for slow-down preset operation (PP)	1"	1½"	1½"	1"	1"	1"	1½"	1"	
Filters	Integrated internal spin-on filter (F) — external spin-on type optional on all models	S	S		S	E85	S	S	S	
Discharge	1" or 1¼" NPT black iron	1"	1¼"	1¼"	1"	¾ NPT	1"	1¼"	1"	1", 215 1¼", 216
Satellite Piping	Dispensers only (S)	0	0	0			0	0		
Inlet	1½" or 2" NPT inlet	1½"	2"	2"	1½"	1½"	1½"	2"	1½"	1½"
Housing	Painted G90 galvanized steel	13 GA	13 GA	13 GA	11 GA		13 GA	13 GA	11 GA	12 GA
Panels	Lockable removable panels - painted 20 gauge or 16 gauge G60	20	20	20	16	20	20	20	16	16
	Lockable removable panels - Stainless steel 22 gauge Kooline	0	0	0		0	0	0		
	Lockable removable panels - Stainless steel 20 gauge Type 304					S				0
Sheathing	Painted replaceable sheathing - G60 galvanized	22	22	22	16	22	22	22	16	16
	All panels stainless steel Type 304 — stainless steel - Kooline (optional)	22	22	22		22	22	22		20
Computer/Register	Electronic Register: Volume only display. Electronic totalizer displayed on LCD by magnetic switch.	S	S	S		S				
	Mechanical Register: VR10 - Volume only, includes integrated totalizer and power reset						S	S		
Electronic Display	Mechanical Register: Four-wheel gallons/liters only, displays up to 999.9. Includes 7-digit totalizer and power reset								S	
	Volume only front display. 1" backlit LCD. Maximum 999.000 gallons or 9999.00 liters.	S	S	S	S					
Interface Options	Pulser: (10.1 or 100.1 volume) for key or card systems (CC or CX)						0	0	0	
	Card System Interface: RS-485 interface for direct connection to Gasboy CFN System, Islander, or TopKAT	0	0	0	0	0				
	Card System Interface - pulse output: selectable pulse/gallon outputs for interfacing with fuel control systems.	0	0	0	0	0				
Brand Panel Lighting	DC conduit and junction box (D)	S	S	S						
	Keytrol (EK)						0	0		
	Lighted brand panel (L)	0	0	0		0	0	0		
Totalizers	Non-settable Electro-Mechanical	0	0	0		0				
	Non-settable Mechanical				0				S	
Nozzle Positions	Side Mount	S	S	S		S	S	S		S
	Front Mount	0	0	0	S	0			S	0
Hose Retractors	Internal hose retractor (I)	0	0				0	0		
	High hose retractor: post-mounted retractor with enclosed spring return reel.	0	0	0	0		0	0	0	0
AST Applications	Pressure Regulating Valve Model 52A (9048577) — suction pumps only	0			0		0		0	
	9850 Above Ground Tank Kit — suction pumps only			0						
Warranty	Parts and labor - 12 month	S	S	S	S	S	S	S	S	S
	Parts and labor - 24 month	0	0	0	0	0	0	0	0	0
Miscellaneous	ATC (Canada only)	0	0	0						
	Hand crank (K)						0	0		
	Battery backup	0	0	0		0				
	Vapor Recovery: Balanced vapor recovery system	0			0				0	0
	Vapor Recovery: Healy Universal Kit compatible	0					0			
Hose: ¾" or 1" standard or Vapor Recovery (specify length)	0	0	0	0	0	0	0	0	0	
Automatic nozzles, breakaway valves, and swivels	0	0	0	0	0	0	0	0	0	

S = Standard, 0 = Optional

**Gilbarco Veeder-Root Middle East & Africa**  
 Arjaan Tower, 9th Floor  
 Dubai Media City, P.O Box 71569  
 Dubai, UAE  
 Tel: +971 4465050  
 Email: salesmea@gilbarco.com  
 www.gilbarco.com/mea

**Gilbarco Veeder-Root Asia Pte Ltd**  
 750A Chai Chee Road  
 #07-02 Technopark@Chai Chee  
 Singapore, 469001  
 Tel: +65 6448 7626  
 Email: salessea@gilbarco.com  
 www.gilbarco.com/sea



## Atlas® pumps & dispensers for fleet operations

Choose from the industry's leading range of pump and dispenser models, with features and options designed specifically to meet the unique needs of fleet operators.

High models provide fast fueling for large vehicles. Satellite dispensers allow simultaneous fueling of saddle tanks to reduce fueling time.

The Gasboy® Atlas series is rugged, durable, reliable and perfectly suited for the tough fleet fueling environment. Electronic and mechanical choices are lit for unattended applications. High flow, Super High Flow, and Ultra

Gasboy Atlas pumps and dispensers are compatible with a full range of Gasboy Fleet Management Systems to help you track and manage your fleet better. From the most simple system to the most comprehensive one, Gasboy offers turnkey solutions to simplify your operation.



**Mechanical pumps and dispensers**

**Super High Flow (up to 40 gpm/151 lpm)\***

Model Number	Type	Hoses	Products	Motors	Meters
9140K	Pump	Single	1	(2) 1 hp c.d.	(2) Gilbarco CFT
9140KX	Dispenser	Single	1	n/a	(2) Gilbarco CFT

**High Flow (up to 22 gpm/83 lpm)\***

Model Number	Type	Hoses	Products	Motors	Meters
9153K	Pump	Single	1	(1) 1 hp c.d.	Gilbarco CFT
9152KTW1	Pump	Twin	1	(1) 1 hp c.d.	Gilbarco CFT
9153KTW1M	Pump	Twin	1	(2) 1 hp c.d.	Gilbarco CFT
9153KTW2	Pump	Twin	2	(2) 1 hp c.d.	Gilbarco CFT
9153KX	Dispenser	Single	1	n/a	Gilbarco CFT
9153KXTW1	Dispenser	Twin	1	n/a	Gilbarco CFT
9153KXTW2	Dispenser	Twin	2	n/a	Gilbarco CFT



**Satellite dispensers**

Model Number	Works With	Hoses	Products	GPM(LPM)*	Motors	Meters
215Q	9153KX 9853KX	Single	1	Up to 21	n/a	n/a
215Q-Z		Single	1	Up to 21	n/a	n/a
215QTW-Z		Twin	1	Up to 21	n/a	n/a
216Q	9850KX 9840KX 9140KX	Single	1	Up to 40	n/a	n/a
216Q-Z		Single	1	Up to 40	na/	n/a
216QTW-Z		Twin	1	Up to 40	n/a	n/a

**Ultra High Flow (up to 50 gpm/189 lpm)\***

Model Number	Type	Hoses	Products	Motors	Meters
9850K	Pump	Single	1	(1) 1½ hp c.d.	Liquid Controls
9850KTW3	Pump	Combo	1	(1) 1½ hp c.d.	Liquid Controls
9850KX	Dispenser	Single	1	n/a	Liquid Controls
9850KXTW1	Dispenser	Twin	1	n/a	Liquid Controls
9850KXTW2	Dispenser	Twin	2	n/a	Liquid Controls
9850KXTW2	Dispenser	Combo	1	n/a	Liquid Controls

**Super High Flow (up to 40 gpm/151 lpm)\***

Model Number	Type	Hoses	Products	Motors	Meters
9840K	Pump	Single	1	(2) 1 hp c.d.	(2) Gilbarco CFT
9840KX	Dispenser	Single	1	n/a	(2) Gilbarco CFT

**High Flow (up to 22 gpm/83 lpm)\***

Model Number	Type	Hoses	Products	Motors	Meters
9853K	Pump	Single	1	(1) 1 hp c.d.	Gilbarco CFT
9852KTW1	Pump	Twin	1	(1) 1 hp c.d.	Gilbarco CFT
9853KTW1M	Pump	Twin	1	(2) 1 hp c.d.	Gilbarco CFT
9853KTW2	Pump	Twin	2	(2) 1 hp c.d.	Gilbarco CFT
9853KX	Dispenser	Single	1	n/a	Gilbarco CFT
9853KXTW1	Dispenser	Twin	1	n/a	Gilbarco CFT

**E85 Electronic Dispensers**

Model Number	Type	Hoses	Products	Nozzle Position	Meters
9872KX F	Dispenser	Single	1	Side	(1) C+
9872KX FZ	Dispenser	Single	1	Front	(1) C+
9872KXTW1 Z	Dispenser	Twin	1	Front	(2) C+



**Electronic pumps and dispensers**

